

## Appendix 3 - Road Books

### 3.1. Rally HQ - Scrutineering - Rally HQ

- PAVILJONKI		DISTANCE	PAGE	
- SCRUTINEERING		3,83 km	1	
DISTANCE		DIRECTION	INFORMATION	DIST. TO GO
TOTAL	PARTIAL			
0,00	0,00	<p>1</p>		3,83
0,49	0,49	<p>2</p>		3,34
1,03	0,54	<p>3</p>		2,80
1,26	0,23	<p>4</p>		2,57
1,56	0,30	<p>5</p>		2,27
1,62	0,06	<p>6</p>		2,21
1,78	0,16	<p>6</p>		2,05



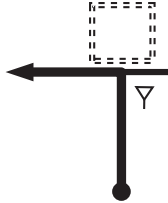
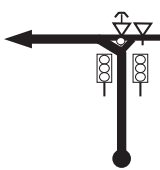

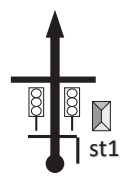

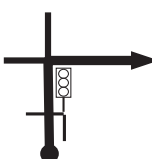
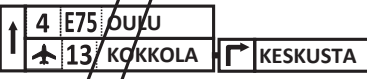
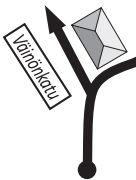
## Appendix 3 - Road Books

### 3.1. Rally HQ - Scrutineering - Rally HQ

- PAVILJONKI		DISTANCE	PAGE	
- SCRUTINEERING		3,83 km	<b>2</b>	
DISTANCE		DIRECTION	INFORMATION	DIST. TO GO
TOTAL	PARTIAL			
2,00	0,22	 7	 1,83	
2,38	0,38	 8	 1,45	
3,04	0,66	 9	 0,79	
3,45	0,41	 10	 0,38	
3,60	0,15	 11	 0,23	
3,70	0,10	 0,13	 0,13	
3,83	0,13	 12	 0,00	
				GPS: 62° 14.881'N 25° 43.380'E

## Appendix 3 - Road Books

### 3.1. Rally HQ - Scrutineering - Rally HQ

- SCRUTINEERING		DISTANCE	PAGE	
- PAVILJONKI		3,82 km	3	
DISTANCE		DIRECTION	INFORMATION	DIST. TO GO
TOTAL	PARTIAL			
0,00	0,00			3,82
0,04	0,04	1 		3,78
			GPS: 62° 14.850'N 25° 43.438'E	
0,25	0,21	2 		3,57
0,40	0,15	3 		3,42
0,79	0,39	4 		3,03
1,46	0,67	5 		2,36
1,83	0,37	6 		1,99

## Appendix 3 - Road Books

### 3.1. Rally HQ - Scrutineering - Rally HQ

- SCRUTINEERING		DISTANCE	PAGE	
- PAVILJONKI		3,82 km	4	
DISTANCE		DIRECTION	INFORMATION	DIST. TO GO
TOTAL	PARTIAL			
2,06	0,23			1,76
2,25	0,19			1,57
2,42	0,17		<p>ROAD WORKS (Possible deviations)</p>	1,40
2,60	0,18			1,22
2,83	0,23			0,99
3,35	0,52			0,47
3,82	0,47			0,00

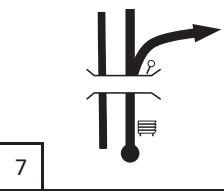

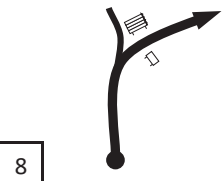
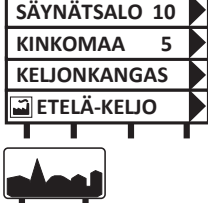
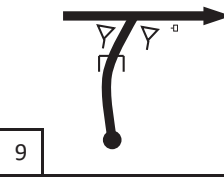

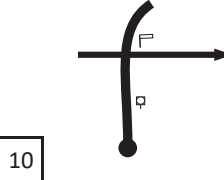

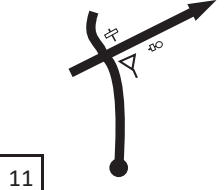

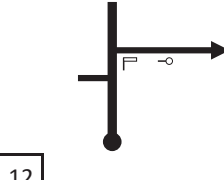
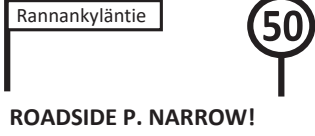
## Appendix 3 - Road Books

### 3.2 Rally HQ - Shakedown - Rally HQ

- PAVILJONKI		DISTANCE	DAY	1	PAGE
- SHAKEDOWN		10,08 km			<b>1</b>
AUX					
DISTANCE		DIRECTION	INFORMATION		DIST. TO GO
TOTAL	PARTIAL				
0,00	0,00	<p>1</p>			10,08
0,14	0,14	<p>2</p>			9,94
0,52	0,38	<p>3</p>			9,56
0,76	0,24	<p>4</p>			9,32
1,70	0,94	<p>5</p>			8,38
3,02	1,32	<p>6</p>			7,06

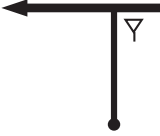

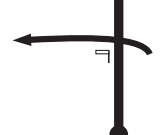

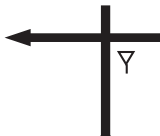
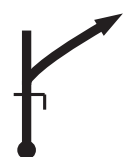





## Appendix 3 - Road Books

### 3.2 Rally HQ - Shakedown - Rally HQ

- PAVILJONKI		DISTANCE	DAY	1	PAGE
- SHAKEDOWN		10,08 km			2
AUX					
DISTANCE		DIRECTION	INFORMATION		DIST. TO GO
TOTAL	PARTIAL				
6,73	3,71			3,35	
7,10	0,37			2,98	
7,32	0,22			2,76	
8,05	0,73			2,03	
8,72	0,67			1,36	
10,08	1,36			0,00	
GPS: 62° 10.592'N 25° 40.788'E					

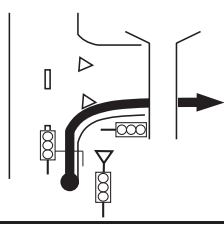

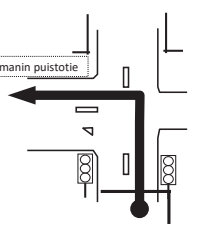
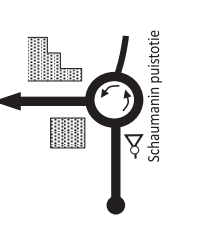


## Appendix 3 - Road Books

### 3.2 Rally HQ - Shakedown - Rally HQ

- SHAKEDOWN		DISTANCE	DAY	PAGE
- PAVILJONKI		9,46 km	1	3
AUX				
DISTANCE		DIRECTION	INFORMATION	DIST. TO GO
TOTAL	PARTIAL			
0,00	0,00		 GPS: 62° 10.592'N 25° 40.788'E	9,46
1,36	1,36			8,10
2,03	0,67			7,43
2,42	0,39			7,04
4,61	2,19			4,85
7,80	3,19			1,66

## Appendix 3 - Road Books

### 3.2 Rally HQ - Shakedown - Rally HQ

		- SHAKEDOWN	DISTANCE	DAY	1	PAGE
		- PAVILJONKI	9,46 km			<b>4</b>
		AUX				
DISTANCE		DIRECTION	INFORMATION		DIST. TO GO	
TOTAL	PARTIAL					
8,74	0,94					0,72
9,08	0,34	7 				0,38
9,33	0,25	8 				0,13
9,46	0,13	9 				0,00



## Appendix 3 - Road Books

### 3.3 Rally HQ - Regroup Toivakka - Rally HQ

- PAVILJONKI		DISTANCE	DAY	4	PAGE
- TOIVAKKA		35,05 km			1
REGROUP, TOIVAKKA					
DISTANCE		DIRECTION	INFORMATION		DIST. TO GO
TOTAL	PARTIAL				
0,00	0,00	<p>1</p>			35,05
0,14	0,14	<p>2</p>			34,91
0,51	0,37	<p>3</p>			34,54
1,45	0,94	<p>4</p>			33,60
7,54	6,09	<p>5</p>			27,51
10,05	2,51	<p>6</p>	<p>TAKE RIGHT LANE</p>		25,00


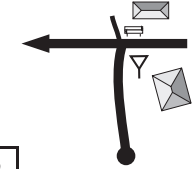



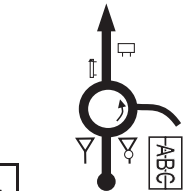
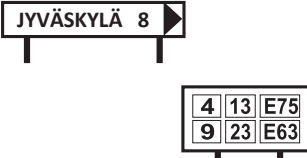
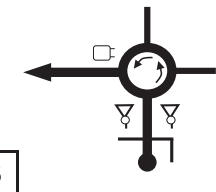




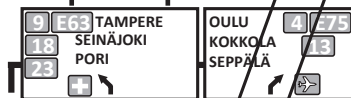
## Appendix 3 - Road Books

### 3.3 Rally HQ - Regroup Toivakka - Rally HQ

- PAVILJONKI		DISTANCE	DAY	4	PAGE
- TOIVAKKA		35,05 km			<b>2</b>
REGROUP, TOIVAKKA					
DISTANCE		DIRECTION		INFORMATION	DIST. TO GO
TOTAL	PARTIAL				
23,13	13,08	7			11,92
31,06	7,93	8			3,99
33,30	2,24	9			1,75
34,88	1,58	10			0,17
35,05	0,17	11		GPS: 62° 05.889'N 26° 05.075'E	0,00

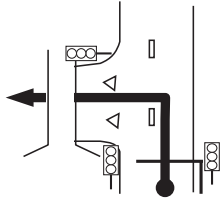

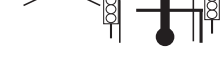
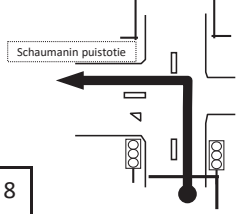

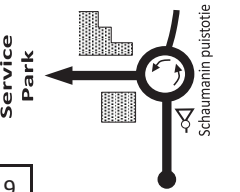
## Appendix 2 - Road Books

### 3.3 Rally HQ - Regroup Toivakka - Rally HQ

- TOIVAKKA		DISTANCE	DAY	4	PAGE
- PAVILJONKI		35,08 km			3
REGROUP, TOIVAKKA					
DISTANCE		DIRECTION	INFORMATION		DIST. TO GO
TOTAL	PARTIAL				
0,00	0,00		GPS: 62° 05.889'N 26° 05.075'E		35,08
0,10	0,10				34,98
3,87	3,77				31,21
25,02	21,15				10,06
27,54	2,52				7,54
32,90	5,36				2,18
33,18	0,28				1,90

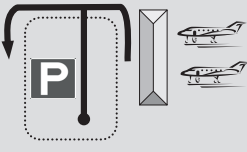
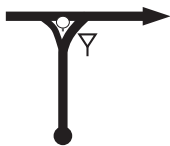

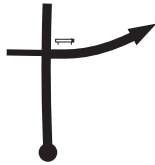


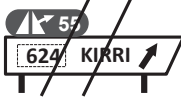

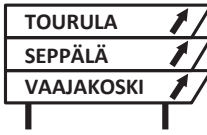
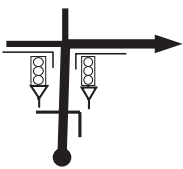
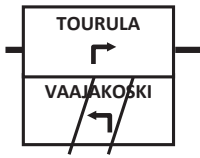
## Appendix 3 - Road Books

### 3.3 Rally HQ - Regroup Toivakka - Rally HQ

- TOIVAKKA		DISTANCE	DAY	4	PAGE
- PAVILJONKI		35,08 km			4
REGROUP, TOIVAKKA					
DISTANCE		DIRECTION		INFORMATION	DIST. TO GO
TOTAL	PARTIAL				
34,57	1,67				0,51
34,70	0,13	7			0,38
34,95	0,25	8			0,13
35,08	0,13	9			0,00

## Appendix 3 - Road Books

### 3.4 Jyväskylä Airport - Rally HQ/Accreditation

- JYVÄSKYLÄ AIRPORT		DISTANCE		PAGE
- RALLY HQ/ACCREDITATION		21,35 km		<b>1</b>
DISTANCE		DIRECTION	INFORMATION	DIST. TO GO
TOTAL	PARTIAL			
				
		1	GPS: 62° 24.231'N 25° 40.913'E	
0,00	0,00			21,35
		2		
0,76	0,76			20,59
		3		
12,32	11,56			9,03
		4		
19,53	7,21			1,82
		5		
19,87	0,34			1,48
		6		

## Appendix 3 - Road Books

### 3.4 Jyväskylä Airport - Rally HQ/Accreditation

- JYVÄSKYLÄ AIRPORT		DISTANCE		PAGE	
- RALLY HQ/ACCREDITATION		21,35 km		<b>2</b>	
DISTANCE		DIRECTION		INFORMATION	DIST. TO GO
TOTAL	PARTIAL				
19,94	0,07	7			1,41
20,33	0,39	8			1,02
20,47	0,14	9			0,88
20,71	0,24	10			0,64
20,95	0,24	11			0,40
21,22	0,27			Accreditation desk	0,13
21,35	0,13	12			0,00
GPS: 62° 14.480'N 25° 45.175'E					